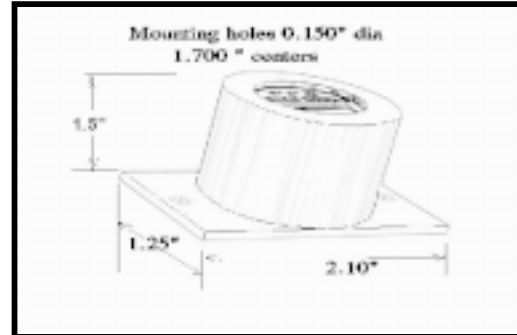
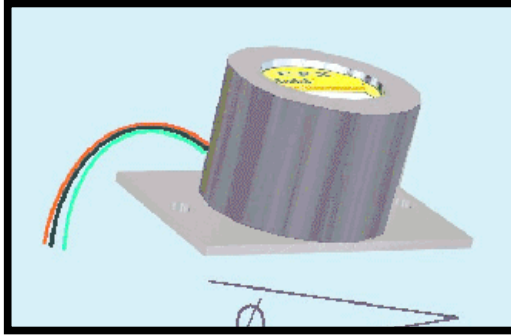


Model UIT-78

Low Cost 4-20 mA Output Inclinometer



Specifications

Ranges Available.....	+/- 30, 45, 60 and 90 Degrees
Output	4-20 mA, 12 mA @ 0 Degrees
Output Loading	0 to 350 Ohms
Bias Offset	+/- 0.5 Degree
Accuracy.....	+/- 0.1 Degree 0 to +/- 10 Degrees +/- 0.25 Degrees 0 to +/- 45 Degrees +/- 0.5 Degrees 0 to +/- 60 Degrees expands to +/- 4 degrees in the region of +/- 90 degree
Frequency Response.....	DC to 5 Hz, smooth rolloff above 10 Hz
Power Options	+ 12 volts or + 24 volts, 60 mA Max.
Operating Temperature.....	0 to + 50 deg C
Vibration Survival	5 g rms 2 to 2000 Hz, Limited to 0.5" displacement below 20 Hz
Transportation Shock	500 g 1 ms
Humidity.....	95 % R.H.
Case Material	Aluminum ,Epoxy Sealed